



### Highlights

#### 4K Ultra HD

1/2.5 inch high quality 4K SONY CMOS sensor; 8.51 megapixel, resolution up to 4K (3840x2160) and compatible with 1080P, 720P and other resolutions. 4K 60FPS

#### Optical Zoom Lens

12X optical zoom lens, with 80.4° FOV without distortion.

#### Leading Auto Focus Technology

Advanced and leading algorithm enables the camera auto focus fast and accurately.

#### Low Noise and High SNR

Low noise CMOS ensures super high SNR image. The advanced 2D/3D noise reduction technology reduces the noise while ensuring high image clarity.

#### Multiple Audio/Video Compression Standard

LAN supports H.264/H.265 video compression; USB3.0 supports MJPG, H264, YUY2, NV12; Audio-in supports AAC, MP3 and G.711A audio compression;

#### Built-in gravity sensor

Built-in gravity sensor supports PTZ auto-flip function and easy to install.

#### Multiple network protocol

Supports ONVIF, GB/T28181, RTSP, RTMP protocols; RTMP push mode, easy to be connected to streaming server (Wowza, FMS); RTP multicast mode; VISCA c

#### Multiple Control Protocol

Support VISCA, PELCO-D, PELCO-P protocols; Support automatic identification protocols.

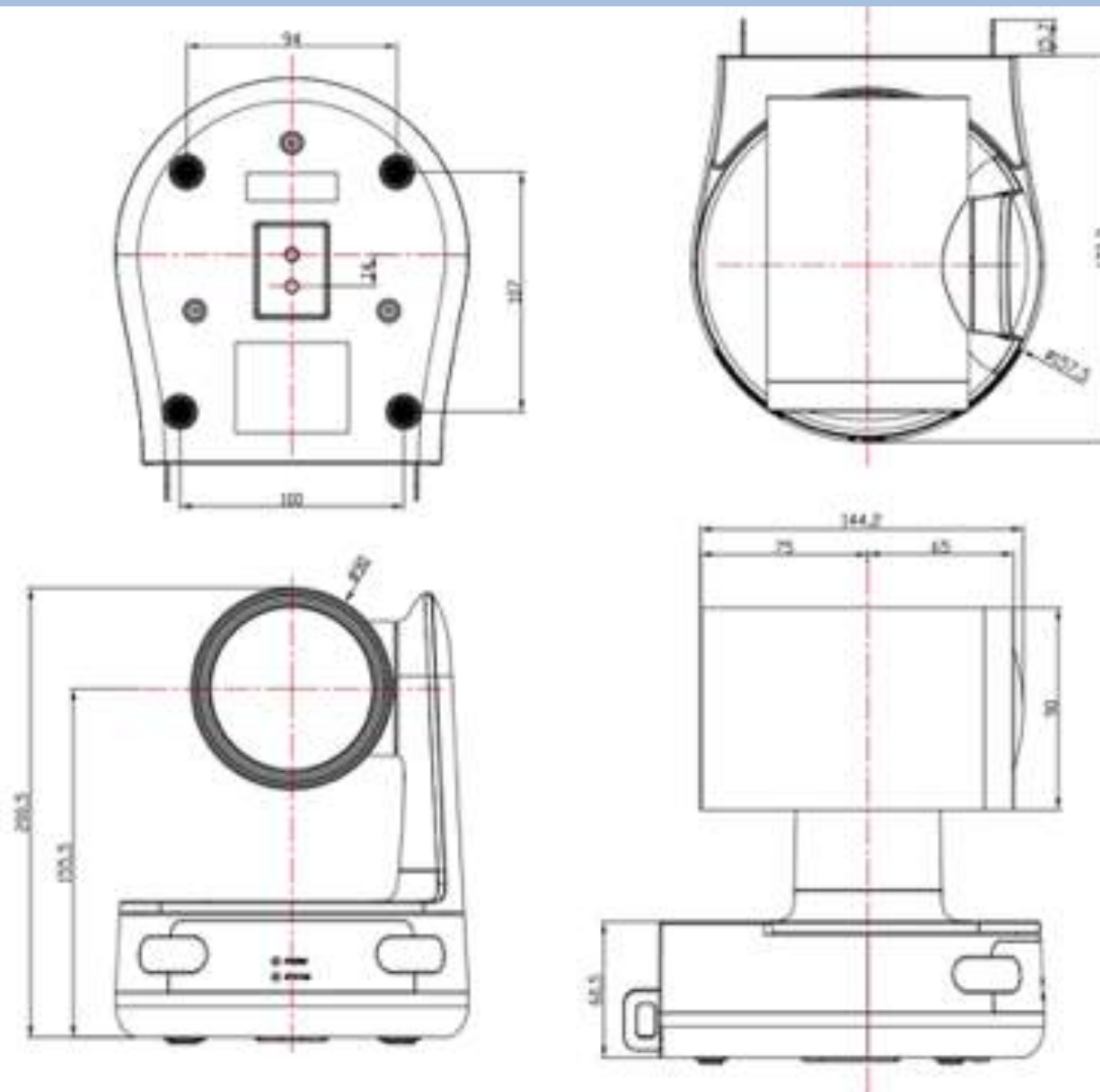
#### Multiple preset

Up to 255 presets (10 presets for remote control)

#### Multiple Applications

Online-education, Lecture Capture, Broadcasting, Video conferencing, Tele-medicine, Unified Communication, Emergency command and control systems, etc.

### Drawing



## Specifications

## Camera Parameters

Optical Zoom	12X
FOV	Horizontal: 7.59° (tele) ~ 80.4° (wide) Vertical: 4.6° (tele) ~ 50.0° (wide)
Aperture	F3.85 - F43.06±5%
Image Sensor	1/2.5 Inch 4K Sony CMOS Sensor
Effective pixels	8.51M; 16:9
Video Format	<b>HDMI Video Output Format:</b> 4KP60, 4KP50, 4KP30, 4KP25, 1080P60, 1080P50, 1080i 60, 1080i 50, 1080P30, 1080P25, 720P60, 720P50
	<b>USB3.0 Video Output Format:</b> YUY2/NV12: 1920×1080P30, 1280×720P30, 1024×576P30, 960×540P30, 800×448P30, 640×360P30, 640×480P30, 320×176P30 MJPEG/H.264: 3840×2160P30fps, 1920×1080P30, 1280×720P30, 1024×576P30, 960×540P30, 800×448P30, 640×360P30, 640×480P30, 320×176P30 <b>USB3.0 downward compatible USB2.0:</b> YUY2/NV12: 640×360P30, 640×480P30, 320×176P30 MJPEG/H.264: 3840×2160P30, 1920×1080P30, 1280×720P30, 1024×576P30, 960×540P30, 800×448P30, 640×360P30, 640×480P30, 320×176P30
Minimum Illumination	0.05Lux (F1.8, AGC ON)
DNR	2D & 3D DNR
White Balance	Auto / Manual/ One Push/ Specified Color Temperature
Focus	Auto / Manual/ One Push
exposure mode	Auto/ Manual / Shutter Priority / Aperture Priority / Brightness priority
Aperture	F1.8 - F11, CLOSE
shutter speed	1/25 - 1/10000
BLC	OFF/ON
Dynamic range	OFF/ Dynamic Level Adjustment
Video Adjustment	Brightness, Color, Saturation, Contrast, Sharpness, B/W mode, Gamma curve
SNR	≥50dB

## Interface Features

Interfaces	HDMI, LAN(POE), USB3.0( Type B, compatible with USB2.0), A-IN, RS232-in & out; RS422 (Compatible with RS485), Dial switch, DC12V, Power Switch
Video Compression	LAN: H.264, H.265. USB 3.0: MJPG, H264, YUY2, NV12
Audio-in Interface	Double track 3.5mm linear Input
Audio out	HDMI, LAN, USB3.0
Audio Compression	AAC, MP3, G.711A
LAN	10M/100M/1000M adaptive Ethernet port, support POE and audio/video output
Network Protocol	RTSP, RTMP, ONVIF, GB/T28181, VISCA Control Protocols, Remote Upgrade, reboot and reset
Control Interface	RS232-IN, RS232-OUT, RS422 (RS485)
Serial Protocol	VISCA/ Pelco-D / Pelco-P; Baud rate: 115200/38400/9600/4800/2400
USB Communication Protocol	UVC(video), UAC(audio)
Power Interface	HEC3800 (DC12V)
Power Adapter	In: AC110V-AC220V ; Out: DC12V/2.5A
Input Voltage	DC12V±10%
Input Current	<1A
Power Consumption	<12W

## PTZ Parameters

Pan Rotation	-170° ~ +170°
Tilt Rotation	-30° ~ +90°
Pan Control Speed	0.1°/s ~ 120°/s
Tilt Control Speed	0.1°/s ~ 80°/s
Preset Speed	Pan: 120°/s, Tilt: 80°/s
Preset Number	255 Presets (10 presets by remote control)

## Other Parameters

Working Temperature	-10°C ~ +50°C
Working Humidity	20% ~ 80%
Dimension	157.5mm (L) × 189mm (W) × 201mm (H)
Usage	2.6kg
Storage Temperature	Indoor

## Accessories

Standard	Power supply and adapter,RS232 Cable,USB3.0 Cable, IR remote control, User Manual, ceiling/wall bracket
----------	---